
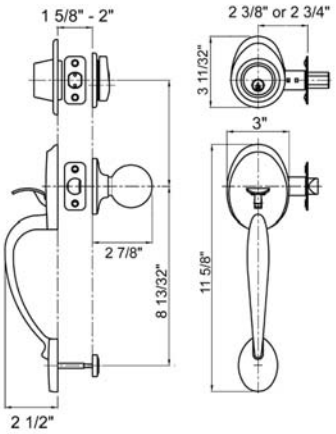



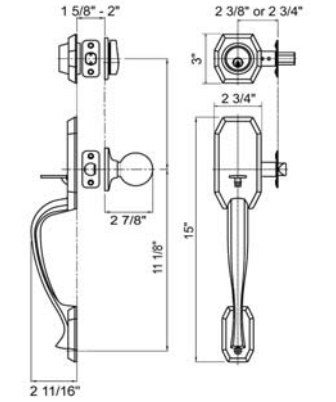
BETTER HOME PRODUCTS

HANDLESET SPECIFICATIONS


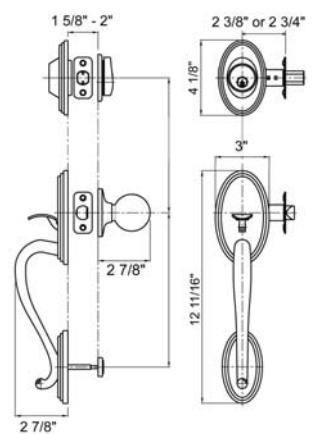
VAN NESS COLLECTION

		<p>BHP ITEM#: 10903PB, 10988CH, 10910B, 10915SN 10911DB, 10944BLK, 10905AB</p> <p>Door Prep - Crossbore 2 1/8", edge bore 1", latch face 1" x 2 1/4", bottom bolt hole 3/8"</p> <p>Door Thickness - 1 5/8" to 2". Up to 2 1/4" with optional BHP thick door kit</p> <p>Function - Deadbolt locked or unlocked by key outside or turn-piece inside. Inside always free. Passage knob and thumb latch always free</p> <p>Strikes - 1 Pc 1" x 2 1/4" radius corner and 1 Pc full lip radius corner for Deadbolt. 1 Pc full lip radius corner for Passage</p> <p>Latches - 1 Pc 1" throw radius corner 2 3/8" - 2 3/4" adj. Deadbolt latch. 1 Pc 1/2" throw 2 3/8" and 1 Pc 2 3/4" radius corner Passage latch</p> <p>Door Handing - Adjustable</p> <p>Interior Trim: Ball knob standard. Fits all other BHP knob and lever trim</p> <p>Available Finishes - Polished Brass (PB), Chrome(CH), Satin Nickel(SN), Dark Bronze(DB), Oil-Rubbed-Bronze(ORB), Black(BLK) and Antique Brass (AB)</p>
---	---	---

CHESTNUT COLLECTION

		<p>BHP ITEM#: 12915SN</p> <p>Door Prep - Crossbore 2 1/8", edge Bore 1", latch face 1" x 2 1/4",</p> <p>Door Thickness - 1 5/8" to 2". Up to 2 1/4" with optional BHP thick door kit</p> <p>Function - Deadbolt locked or unlocked by key outside or turn-piece inside. Inside always free. Passage knob and thumb latch always free</p> <p>Strikes - 1 Pc 1" x 2 1/4" radius corner and 1 Pc full lip radius corner for Deadbolt. 1 Pc full lip radius corner for Passage</p> <p>Latches - 1 Pc 1" throw radius corner 2 3/8" - 2 3/4" adj. Deadbolt latch. 1 Pc 1/2" throw 2 3/8" and 1 Pc 2 3/4" radius corner Passage latch</p> <p>Door Handing - Adjustable</p> <p>Interior Trim: Ball knob standard. Fits all other BHP knob and lever trim</p> <p>Available Finish - Satin Nickel(SN),</p>
--	--	--


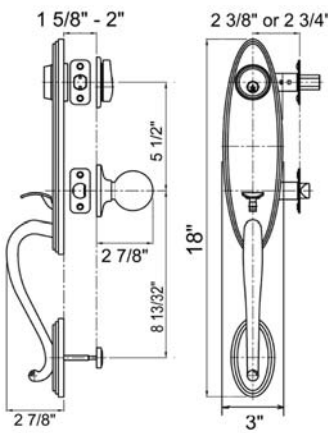
EMBARCADERO COLLECTION

		<p>BHP ITEM#: 78803PB, 88888CH, 68815SN, 38811DB 58810B, 48844BLK</p> <p>Door Prep - Crossbore 2 1/8", edge bore 1", latch face 1" x 2 1/4", bottom bolt hole 3/8"</p> <p>Door Thickness - 1 5/8" to 2". Up to 2 1/4" with optional BHP thick door kit</p> <p>Function - Deadbolt locked or unlocked by key outside or turn-piece inside. Inside always free. Passage knob and thumb latch always free</p> <p>Strikes - 1 Pc 1" x 2 1/4" radius corner and 1 Pc full lip radius corner for Deadbolt. 1 Pc full lip radius corner for Passage</p> <p>Latches - 1 Pc 1" throw radius corner 2 3/8" - 2 3/4" adj. Deadbolt latch. 1 Pc 1/2" throw 2 3/8" and 1 Pc 2 3/4" radius corner Passage latch</p> <p>Door Handing - Adjustable</p> <p>Interior Trim: Ball knob standard. Fits all other BHP knob and lever trim</p> <p>Available Finishes-Polished Brass (PB), Chrome(CH),Satin Nickel(SN), Dark Bronze(DB),Oil-Rubbed-Bronze(ORB) and Black(BLK)</p>
---	---	--


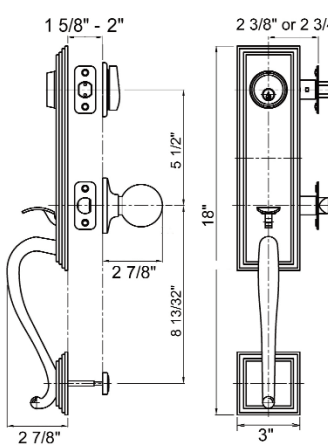
BETTER HOME PRODUCTS

HANDLESET SPECIFICATIONS


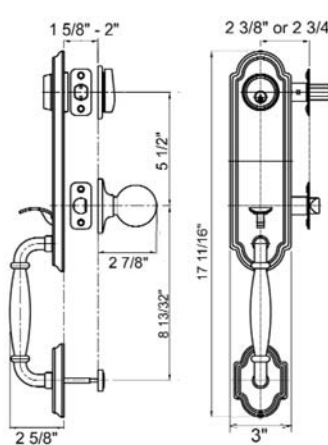
NOB HILL COLLECTION

		<p>BHP ITEM#: LIF79803PB, 89888CH, 59810B, 69815SN 39811DB, 49844BLK</p> <p>Door Prep - Crossbore 2 1/8", edge bore 1", latch face 1" x 2 1/4", bottom bolt hole 3/8"</p> <p>Door Thickness - 5/8" to 2". Up to 2 1/4" with optional BHP thick door kit</p> <p>Function - Deadbolt locked or unlocked by key outside or turn-piece inside. Inside always free. Passage knob and thumb latch always free</p> <p>Strikes - 1 Pc 1" x 2 1/4" radius corner and 1 Pc full lip radius corner for Deadbolt. 1 Pc full lip radius corner for Passage</p> <p>Latches - 1 Pc 1" throw radius corner 2 3/8" - 2 3/4" adj. Deadbolt latch. 1 Pc 1/2" throw 2 3/8" and 1 Pc 2 3/4" radius corner Passage latch</p> <p>Door Handing - Adjustable</p> <p>Interior Trim: Ball knob standard. Fits all other BHP knob and lever trim</p> <p>Available Finishes - Polished Brass (PB), Chrome(CH), Satin Nickel(SN), Dark Bronze(DB), Oil-Rubbed-Bronze(ORB) and Black(BLK)</p>
---	---	---

UNION SQUARE COLLECTION

		<p>BHP ITEM#: LIF44803PB, 44888CH, 44810B, 44815SN 44811DB</p> <p>Door Prep - Crossbore 2 1/8", edge Bore 1", latch face 1" x 2 1/4", bottom bolt hole 3/8"</p> <p>Door Thickness - 1 5/8" to 2". Up to 2 1/4" with optional BHP thick door kit</p> <p>Function - Deadbolt locked or unlocked by key outside or turn-piece inside. Inside always free. Passage knob and thumb latch always free</p> <p>Strikes - 1 Pc 1" x 2 1/4" radius corner and 1 Pc full lip radius corner for Deadbolt. 1 Pc full lip radius corner for Passage</p> <p>Latches - 1 Pc 1" throw radius corner 2 3/8" - 2 3/4" adj. Deadbolt latch. 1 Pc 1/2" throw 2 3/8" and 1 Pc 2 3/4" radius corner Passage latch</p> <p>Door Handing - Adjustable</p> <p>Interior Trim: Ball knob standard. Fits all other BHP knob and lever trim</p> <p>Available Finishes - Polished Brass (PB), Chrome(CH), Satin Nickel(SN), Dark Bronze(DB) and Oil-Rubbed-Bronze(ORB)</p>
--	--	---

SEA CLIFF COLLECTION

		<p>BHP ITEM#: LIF22803PB, 22888CH, 22810B, 22815SN 22811DB, 22844BLK</p> <p>Door Prep - Crossbore 2 1/8", edge bore 1", latch face 1" x 2 1/4", bottom bolt hole 3/8"</p> <p>Door Thickness - 1 5/8" to 2". Up to 2 1/4" with optional BHP thick door kit</p> <p>Function - Deadbolt locked or unlocked by key outside or turn-piece inside. Inside always free. Passage knob and thumb latch always free</p> <p>Strikes - 1 Pc 1" x 2 1/4" radius corner and 1 Pc full lip radius corner for Deadbolt. 1 Pc full lip radius corner for Passage</p> <p>Latches - 1 Pc 1" throw radius corner 2 3/8" - 2 3/4" adj. Deadbolt latch. 1 Pc 1/2" throw 2 3/8" and 1 Pc 2 3/4" radius corner Passage latch</p> <p>Door Handing - Adjustable</p> <p>Interior Trim: Ball knob standard. Fits all other BHP knob and lever trim</p> <p>Available Finishes - Polished Brass (PB), Chrome(CH), Satin Nickel(SN), Dark Bronze(DB), Oil-Rubbed-Bronze(ORB) and Black(BLK)</p>
---	---	---