



BETTER HOME PRODUCTS

DUMMY INSTALLATION

Dummy Knobs
Dummy Levers

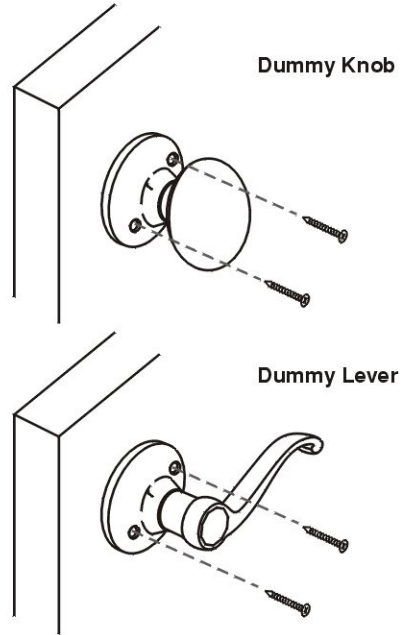
1. Door Prep

Choose desired height on door for dummy knob or lever.
At this height mark the door $2\frac{3}{8}$ " or $2\frac{3}{4}$ " from door edge.
Use template and mark holes on door.
If a dummy will be used on each side of door, mark both sides at the same location point.

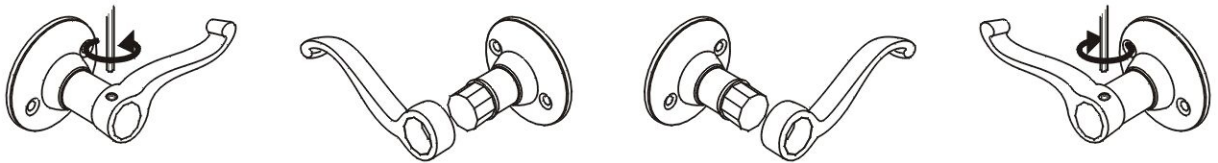
2. Install Screws

At desired height on door, install screws through the rosette hole openings, into the door.

Note: Pilot drill holes may be helpful on dense doors.



Change handing for right-hand or left-hand doors:

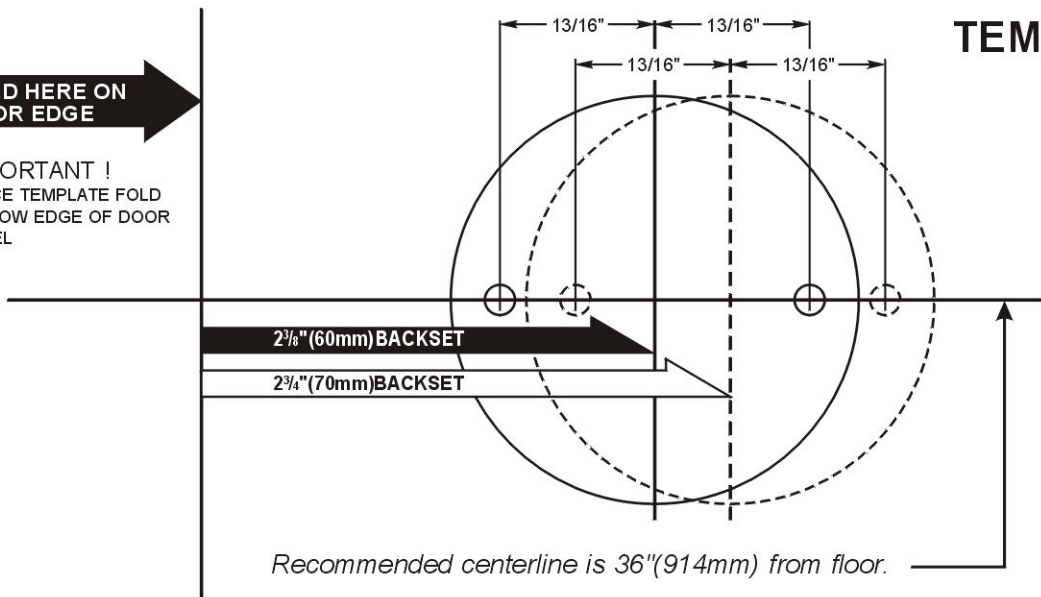


1. Remove set screws from lever handle

4. Replace set screws in handle

FOLD HERE ON DOOR EDGE

IMPORTANT!
PLACE TEMPLATE FOLD ON LOW EDGE OF DOOR BEVEL



TEMPLATE

Recommended centerline is 36" (914mm) from floor.