
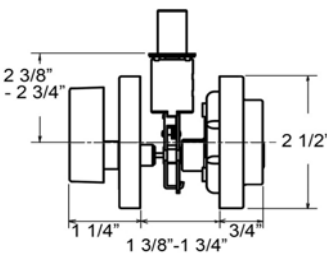
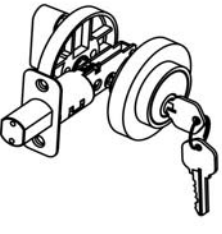
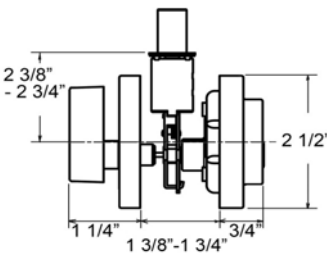
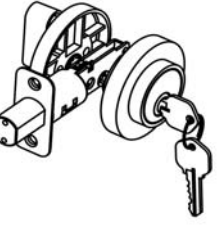
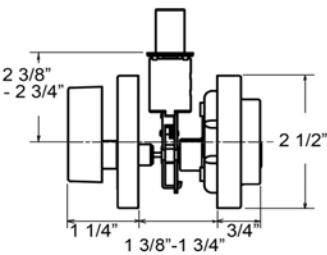


BETTER HOME PRODUCTS

LOW - PROFILE SINGLE CYLINDER DEADBOLT SPECIFICATIONS

Combines Well With Skyline Boulevard Collection

		<p>BHP ITEM# SK10688CH Chrome Finish</p> <p>All metal components with inner anti-pick shield</p> <p>Door Prep - Crossbore 2 1/8", Edge Bore 1", Latch Face 1"x2 1/4"</p> <p>Door Thickness - 1 3/8" to 1 3/4"</p> <p>Function: Locked or unlocked by key out side or turn-piece inside. inside always free</p> <p>Cylinder - 5 pin KW1 keyway. Other options available</p> <p>Strike - Packed with 1 Pc 1x 2 1/4" radius corner strike and 1 Pc full lip radius corner strike. Other options available</p> <p>Latch - 1" throw bolt, 2 3/8" or 2 3/4" backset adjustable. Radius corner face plate standard. Other options available</p> <p>Door Handing - Non-handed</p>
		<p>BHP ITEM# SK10615SN Satin Nickel finish</p> <p>All metal components with inner anti-pick shield</p> <p>Door Prep - Crossbore 2 1/8", Edge Bore 1", Latch Face 1"x2 1/4"</p> <p>Door Thickness - 1 3/8" to 1 3/4"</p> <p>Function: Locked or unlocked by key out side or turn-piece inside. inside always free</p> <p>Cylinder - 5 pin KW1 keyway. Other options available</p> <p>Strike - Packed with 1 Pc 1x 2 1/4" radius corner strike and 1 Pc full lip radius corner strike. Other options available</p> <p>Latch - 1" throw bolt, 2 3/8" or 2 3/4" backset adjustable. Radius corner face plate standard. Other options available</p> <p>Door Handing - Non-handed</p>
		<p>BHP ITEM# SK10611DB Dark Bronze Finish</p> <p>All metal components with inner anti-pick shield</p> <p>Door Prep - Crossbore 2 1/8", Edge Bore 1", Latch Face 1"x2 1/4"</p> <p>Door Thickness - 1 3/8" to 1 3/4"</p> <p>Function: Locked or unlocked by key out side or turn-piece inside. inside always free</p> <p>Cylinder - 5 pin KW1 keyway. Other options available</p> <p>Strike - Packed with 1 Pc 1x 2 1/4" radius corner strike and 1 Pc full lip radius corner strike. Other options available</p> <p>Latch - 1" throw bolt, 2 3/8" or 2 3/4" backset adjustable. Radius corner face plate standard. Other options available</p> <p>Door Handing - Non-handed</p>