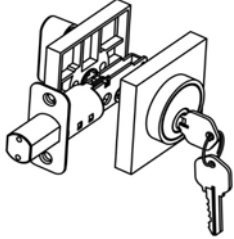
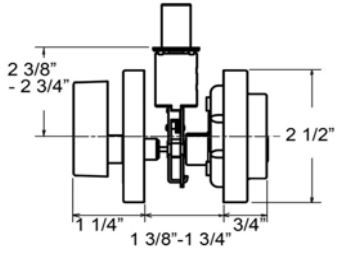
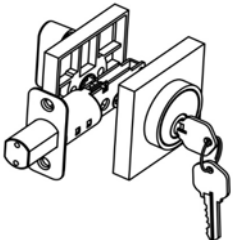
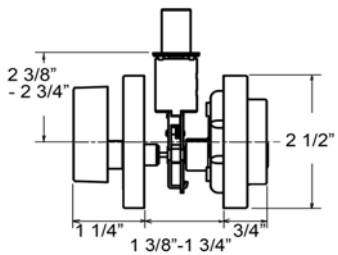
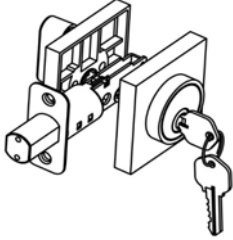
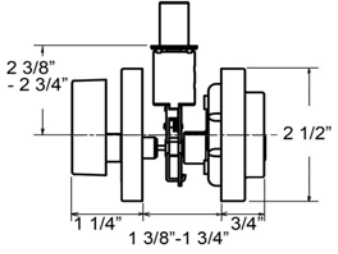


# BETTER HOME PRODUCTS

## SQUARE LOW - PROFILE SINGLE CYLINDER DEADBOLT SPECIFICATIONS

Combines Well With Tiburon Collection

		<p><b>BHP</b> ITEM# TIB10688CH Chrome Finish</p> <p>All metal components with inner anti-pick shield</p> <p><b>Door Prep</b> - Crossbore 2 1/8", Edge Bore 1", Latch Face 1"x2 1/4"</p> <p><b>Door Thickness</b> - 1 3/8" to 1 3/4"</p> <p><b>Function:</b> Locked or unlocked by key out side or turn-piece inside. inside always free</p> <p><b>Cylinder</b> - 5 pin KW1 keyway. Other options available</p> <p><b>Strike</b> - Packed with 1 Pc 1x 2 1/4" radius corner strike and 1 Pc full lip radius corner strike. Other options available</p> <p><b>Latch</b> - 1" throw bolt, 2 3/8" or 2 3/4" backset adjustable. Radius corner face plate standard. Other options available</p> <p><b>Door Handing</b> - Non-handed</p>
		<p><b>BHP</b> ITEM# TIB10615SN Satin Nickel Finish</p> <p>All metal components with inner anti-pick shield</p> <p><b>Door Prep</b> - Crossbore 2 1/8", Edge Bore 1", Latch Face 1"x2 1/4"</p> <p><b>Door Thickness</b> - 1 3/8" to 1 3/4"</p> <p><b>Function:</b> Locked or unlocked by key out side or turn-piece inside. inside always free</p> <p><b>Cylinder</b> - 5 pin KW1 keyway. Other options available</p> <p><b>Strike</b> - Packed with 1 Pc 1 x 2 1/4" radius corner strike and 1 Pc full lip radius corner strike. Other options available</p> <p><b>Latch</b> - 1" throw bolt, 2 3/8" or 2 3/4" backset adjustable. Radius corner face plate standard. Other options available</p> <p><b>Door Handing</b> - Non-handed</p>
		<p><b>BHP</b> ITEM# TIB10611DB Dark Bronze Finish</p> <p>All metal components with inner anti-pick shield</p> <p><b>Door Prep</b> - Crossbore 2 1/8", Edge Bore 1", Latch Face 1"x2 1/4"</p> <p><b>Door Thickness</b> - 1 3/8" to 1 3/4"</p> <p><b>Function:</b> Locked or unlocked by key out side or turn-piece inside. inside always free</p> <p><b>Cylinder</b> - 5 pin KW1 keyway. Other options available</p> <p><b>Strike</b> - Packed with 1 Pc 1 x 2 1/4" radius corner strike and 1 Pc full lip radius corner strike. Other options available</p> <p><b>Latch</b> - 1" throw bolt, 2 3/8" or 2 3/4" backset adjustable. Radius corner face plate standard. Other options available</p> <p><b>Door Handing</b> - Non-handed</p>