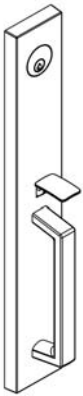
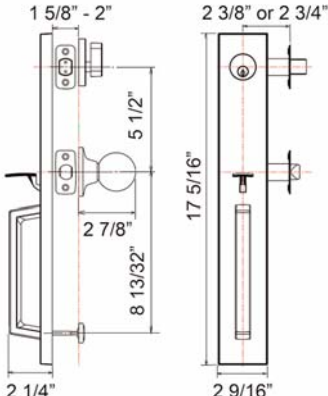


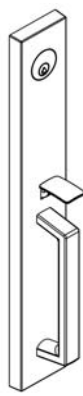
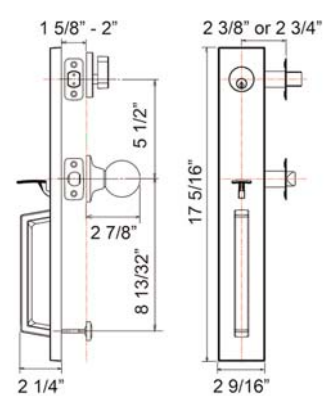
BETTER HOME PRODUCTS

NEW DOLORES PARK HANDLESET SPECIFICATIONS

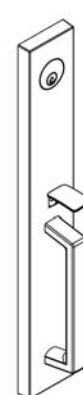
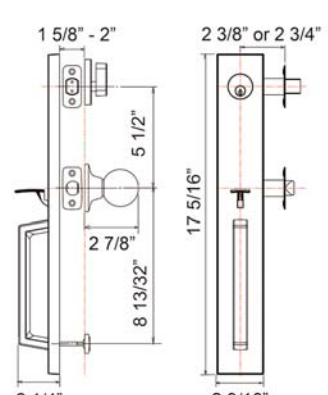
DARK BRONZE FINISH

		<p>BHP ITEM#: 80811DB</p> <p>Door Prep - Crossbore 2 1/8", edge bore 1", latch face 1" x 2 1/4", bottom bolt hole 3/8"</p> <p>Door Thickness - 1 5/8" to 2". Up to 2 1/4" with optional BHP thick door kit</p> <p>Function - Deadbolt locked or unlocked by key outside or turn-piece inside. Inside always free. Passage knob and thumb latch always free</p> <p>Strikes -1 Pc 1" x 2 1/4" radius corner and 1 Pc full lip radius corner for Deadbolt. 1 Pc full lip radius corner for Passage</p> <p>Latches -1 Pc 1" throw radius corner 2 3/8" -2 3/4" adj. Deadbolt latch. 1 Pc 1/2" throw 2 3/8" and 1 Pc 2 3/4" radius corner Passage latch</p> <p>Door Handing - Adjustable</p> <p>Interior Trim: Ball knob standard. Fits all other BHP knob and lever trims</p> <p>Lock Body Material - Solid Brass</p>
---	---	--

SATIN NICKEL FINISH

		<p>BHP ITEM#: 60815SN</p> <p>Door Prep - Crossbore 2 1/8", edge Bore 1", latch face 1" x 2 1/4", bottom bolt hole 3/8"</p> <p>Door Thickness - 1 5/8" to 2". Up to 2 1/4" with optional BHP thick door kit</p> <p>Function - Deadbolt locked or unlocked by key outside or turn-piece inside. Inside always free. Passage knob and thumb latch always free</p> <p>Strikes -1 Pc 1" x 2 1/4" radius corner and 1 Pc full lip radius corner for Deadbolt. 1 Pc full lip radius corner for Passage</p> <p>Latches -1 Pc 1" throw radius corner 2 3/8" -2 3/4" adj. Deadbolt latch. 1 Pc 1/2" throw 2 3/8" and 1 Pc 2 3/4" radius corner Passage latch</p> <p>Door Handing - Adjustable</p> <p>Interior Trim: Ball knob standard. Fits all other BHP knob and lever trims</p> <p>Lock Body Material - Solid Brass</p>
--	--	--

CHROME FINISH

		<p>BHP ITEM#: 80888CH</p> <p>Door Prep - Crossbore 2 1/8", edge bore 1", latch face 1" x 2 1/4", bottom bolt hole 3/8"</p> <p>Door Thickness - 1 5/8" to 2". Up to 2 1/4" with optional BHP thick door kit</p> <p>Function - Deadbolt locked or unlocked by key outside or turn-piece inside. Inside always free. Passage knob and thumb latch always free</p> <p>Strikes -1 Pc 1" x 2 1/4" radius corner and 1 Pc full lip radius corner for Deadbolt. 1 Pc full lip radius corner for Passage</p> <p>Latches -1 Pc 1" throw radius corner 2 3/8" -2 3/4" adj. Deadbolt latch. 1 Pc 1/2" throw 2 3/8" and 1 Pc 2 3/4" radius corner Passage latch</p> <p>Door Handing - Adjustable</p> <p>Interior Trim: Ball knob standard. Fits all other BHP knob and lever trims</p> <p>Lock Body Material - Solid Brass</p>
---	---	--