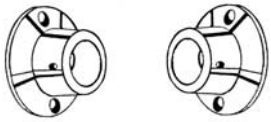
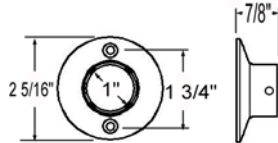

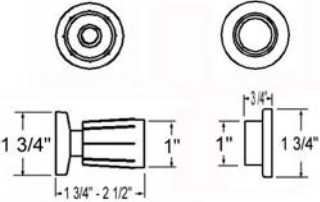

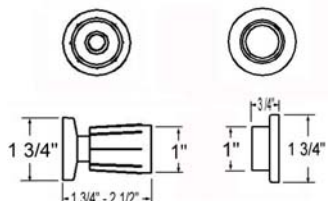



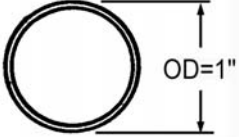

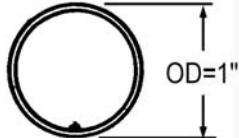


BETTER HOME PRODUCTS

SHOWER RODS AND FLANGES SPECIFICATIONS

| | | |
|---|--|--|
|  |  | <p>BHP ITEM# 005 FLANGE SET</p> <p>Exposed Screw Flange Set With Set Screw - 0.062" (16 gauge) wall thickness, chrome plated die cast zinc alloy construction. Packed with 4 Pcs #8 x 1 1/4" mounting screws and 2 Pcs set screws.</p> |
|  |  | <p>BHP ITEM# 006 ADJUSTABLE FLANGE SET</p> <p>Chrome -Plated Zinc Adjustable Flange Set - chrome plated die cast zinc flange pair for 1" O.D shower rod. Pressure fit, no mounting screws needed. Base wall thickness 0.078" (14 gauge). Body wall thickness 0.062" (16 gauge)</p> |
|  |  | <p>BHP ITEM# 007 ADJ. FLANGE SET ITEM# 008PB ADJ. FLANGE SET</p> <p>High Impact ABS Plastic Adjustable Flange Set - for 1" O.D shower rod. Pressure fit, no mounting screws needed. Base wall thickness 0.078" (14 gauge). Body wall thickness 0.062" (16 gauge) 007 - chrome plated finish 008PB - polished brass plated finish</p> |
|  |  <p>Tube Welded</p> | <p>BHP ITEM# 0500 SHOWER ROD ITEM# 0600 SHOWER ROD</p> <p>Aluminum Shower Rod - 1" O.D round x 0.025 wall thickness (24 gauge) welded seam, clean cut, bright aluminum finish 0500 - 5' length 0600 - 6' length</p> |
|  |  <p>Extruded</p> | <p>BHP ITEM# 0700PB SHOWER ROD ITEM# 0800PB SHOWER ROD</p> <p>Brass Anodized Aluminum Shower Rod - 1" OD round x 0.035 wall thickness (21 gauge) extruded tube, clean cut, polished brass finish 0700PB - 5' length 0800PB - 6' length</p> |
|  |  <p>Tube Welded</p> | <p>BHP ITEM# 0300SS SHOWER ROD ITEM# 0400SS SHOWER ROD</p> <p>Stainless Steel Shower Rod - 1" O.D x 0.028" wall thickness (23 gauge) tube welded, type 304 stainless steel, clean cut, bright polish finish SS0300 - 5' length SS0400 - 6' length</p> |