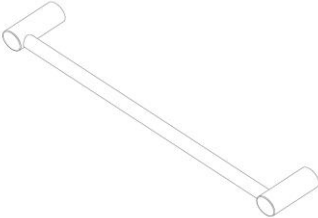
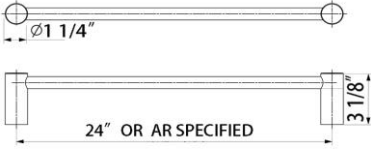
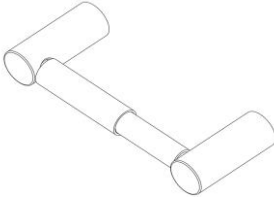
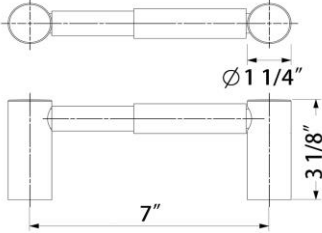
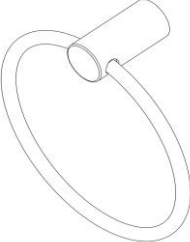
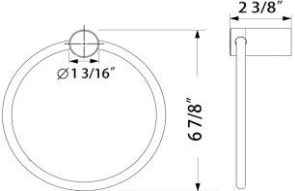
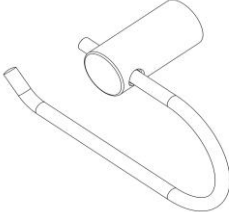
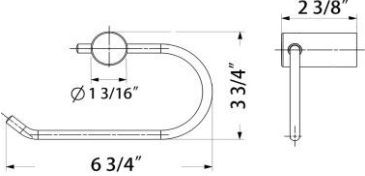

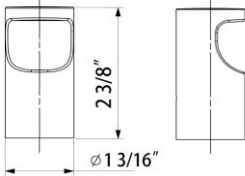


BETTER HOME PRODUCTS

PALO ALTO COLLECTION SPECIFICATIONS

0800 SERIES CHROME FINISH

		<p>(BHP) ITEM# 0824CH 24" TOWEL BAR SET</p> <p>Towel Bar – surface mount, concealed screw application, including 2Pcs steel mounting brackets and 4Pcs molly bolts.</p> <p>Posts – electroplated die cast zinc alloy</p> <p>Bar – 3/4" OD, 0.025" wall thickness aluminum.</p> <p>Available in 18", 24" and 32" length</p>
		<p>(BHP) ITEM# 0809CH PAPER HOLDER</p> <p>Paper Holder - surface mount, concealed screw application, including 2Pcs steel mounting brackets and 4Pcs molly bolts.</p> <p>Posts - electroplated die cast zinc alloy</p> <p>Roller – plated metal roller with spring tension</p>
		<p>(BHP) ITEM# 0804CH TOWEL RING</p> <p>Towel Ring - surface mount, concealed screw application, including 1 Pc steel mounting bracket and 2 Pcs molly bolts</p> <p>Post - electroplated die cast zinc alloy</p> <p>Ring – electroplated aluminum</p>
		<p>(BHP) ITEM# 0807CH EURO STYLE PAPER HOLDER</p> <p>Paper Ring - surface mount, concealed screw application, including 1 Pc steel mounting bracket and 2 Pcs molly bolts</p> <p>Post - electroplated die cast zinc alloy</p> <p>Hook – electroplated die cast zinc alloy</p>
		<p>(BHP) ITEM# 0801CH SINGLE ROBE HOOK</p> <p>Robe Hook- surface mount, concealed screw application, including 1 Pc steel mounting bracket and 2 Pcs molly bolts</p> <p>Base & Hook - electroplated die cast zinc alloy</p>