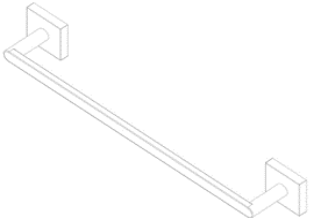

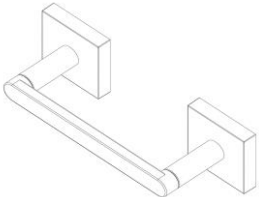
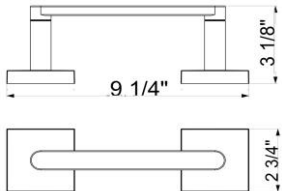
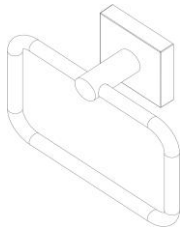
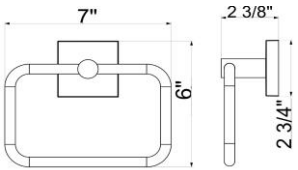
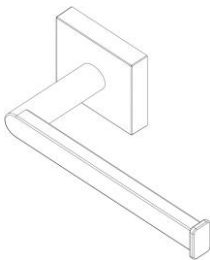
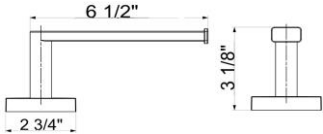
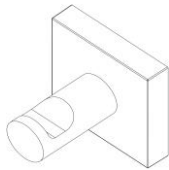
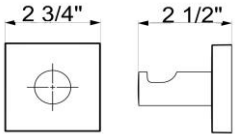


BETTER HOME PRODUCTS

SOUTHLAKE COLLECTION SPECIFICATIONS

7600 SERIES SATIN NICKEL FINISH

		<p>BHP ITEM# 7624SN 24" TOWEL BAR SET</p> <p>Towel Bar – surface mount, concealed screw application, including 2 Pcs steel mounting brackets, 4 Pcs #8 x 1 1/4" mounting screws and 4 Pcs plastic anchors</p> <p>Posts – electroplated die cast zinc alloy</p> <p>Bar - Stainless steel. Available in 18", 24" & 32" C-C</p>
		<p>BHP ITEM# 7609SN PAPER HOLDER</p> <p>Paper Holder - surface mount, concealed screw application, including 2 Pcs steel mounting brackets, 4 Pcs #8 x 1 1/4" mounting screws and 4 Pcs plastic anchors</p> <p>Posts - electroplated die cast zinc alloy</p> <p>Roller – swing arm. plated metal</p>
		<p>BHP ITEM# 7604SN TOWEL RING</p> <p>Towel Ring - surface mount, concealed screw application, including 1 Pc steel mounting bracket, 2 Pcs #8 x 1 1/4" mounting screws and 2 Pcs plastic anchors</p> <p>Post - electroplated die cast zinc alloy</p> <p>Ring – electroplated aluminum</p>
		<p>BHP ITEM# 7607SN EURO STYLE PAPER HOLDER</p> <p>Paper Holder - surface mount, concealed screw application, including 1 Pc steel mounting bracket, 2 Pcs #8 x 1 1/4" mounting screws and 2 Pcs plastic anchors</p> <p>Post - electroplated die cast zinc alloy</p> <p>Arm - electroplated die cast zinc alloy</p>
		<p>BHP ITEM# 7601SN ROBE HOOK</p> <p>Robe Hook – surface mount, concealed screw application, including 1 Pc steel mounting bracket, 2 Pcs #8 x 1 1/4" mounting screws and 2 Pcs plastic anchors.</p> <p>Base & Hook - electroplated die cast zinc alloy</p>