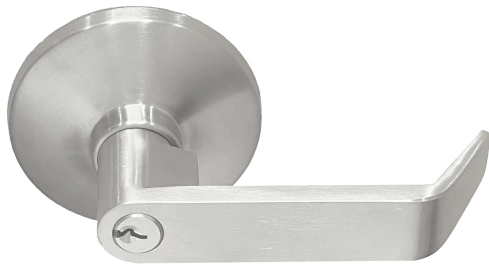


# BETTER HOME PRODUCTS

## EDTL05 SERIES EXIT DEVICE CLUTCH ENTRY TRIM LEVER



Lifetime Mechanical Warranty  
and 5 Year Finish Warranty



- \* Grade I heavy duty trim lever for exit devices
- \* Stainless steel lever piece and rosette cover
- \* Clutch cylindrical body
- \* 6 Pin solid brass SC "C" keyway cylinder standard
- \* ADA compliant
- \* Full length lever handle
- \* Packed with mounting hardware



### ITEM NUMBERS:

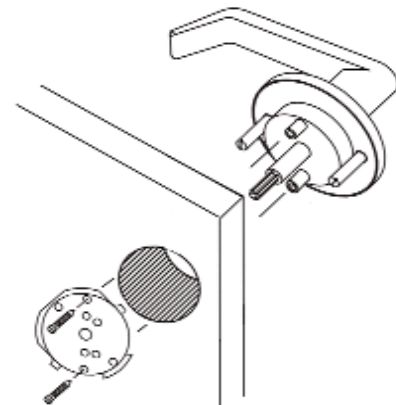
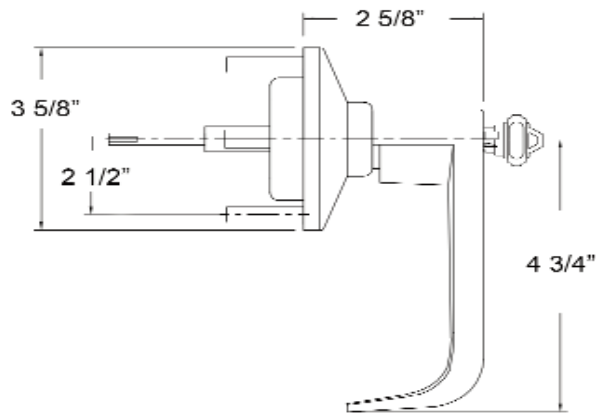
EDTL05ENTBLK - Exit device entry trim lever- Matte Black Finish

EDTL05ENTCH - Exit device entry trim lever - Polished Stainless Steel ( Chrome) finish

EDTL05ENTSN - Exit device entry trim lever - Brushed Stainless Steel ( SN) finish

### FEATURES

- \* For use with BHP 300, 400 and 500 series fire-rated and non-fire rated rim latch and vertical rod exit devices
- \* Key locks and unlock lever
- \* Fits door thickness 1 3/4" to 2 1/4"
- \* Fits and covers 161 cutout
- \* Non-Handed



### CROSS REFERENCE

| BHP    | CALROYAL | SARGENT | STANLEY |
|--------|----------|---------|---------|
| EDTL05 | ENT00L   | 28      | QRT360  |