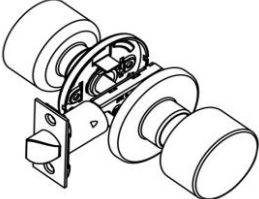
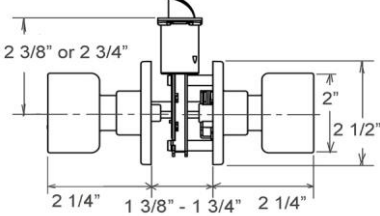
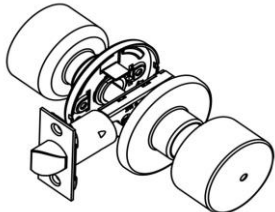
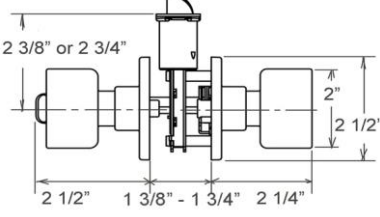
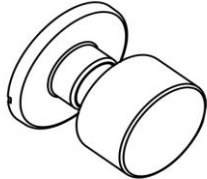
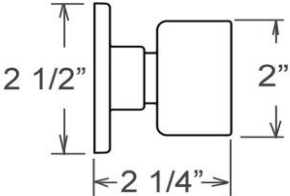
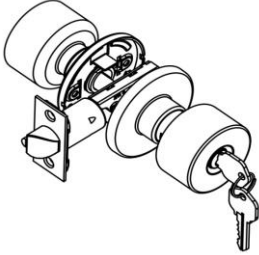
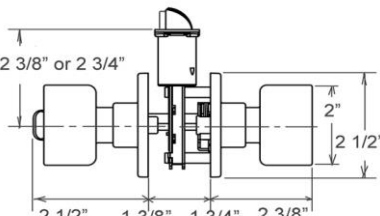
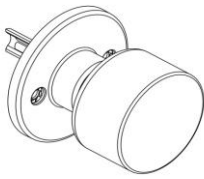
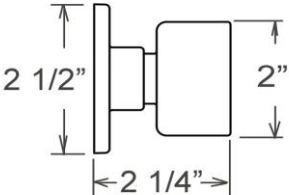


BETTER HOME PRODUCTS

MISSION BELL COLLECTION SPECIFICATIONS

47000 SERIES - FLAT KNOB - DARK BRONZE FINISH

		<p>BHP ITEM# 47111DB - Passage Set</p> <p>Grade III tubular passage set. All metal components Door Prep - Crossbore 2 1/8", Edge Bore 1", Latch Face 1"x2 1/4" Door Thickness - 1 3/8" to 1 3/4" Function: Both sides always free Strike - Full lip radius corner standard. Other options available Latch - 1/2" throw bolt, 2 3/8" or 2 3/4" backset adjustable. Radius corner face plate standard. Other options available Door Handing - Non - handel</p>
		<p>BHP ITEM# 47211DB - Privacy Set</p> <p>Grade III tubular privacy set. All metal components Door Prep - Crossbore 2 1/8", Edge Bore 1", Latch Face 1"x2 1/4" Door Thickness - 1 3/8" to 1 3/4" Function - Both sides locked or unlocked by inside center turn-button. Also can be opened by emergency key Strike - Full lip radius corner standard. Other options available Latch - 1/2" throw bolt, 2 3/8" or 2 3/4" backset adjustable. Radius corner face plate standard. Other options available Door Handing - Non - handed</p>
		<p>BHP ITEM# 47311DB - Dummy Knob</p> <p>Grade III dummy knob. All metal components Door Prep - Surface mounted with 1 Pc concealed mounting screw. No door prep needed Door Thickness - greater than 1" - 1 3/4" Function: For doors where only a pull / push is required. Door Handing - Non - handed</p>
		<p>BHP ITEM# 47511DB - Entry Set</p> <p>Grade III tubular entry set. All metal components Door Prep - Crossbore 2 1/8", Edge Bore 1", Latch Face 1"x2 1/4" Door Thickness - 1 3/8" to 1 3/4" Function: Both sides locked or unlocked by key out side or center turn-button inside Cylinder - 5 pins, Kwikset® KW 1 keyway Strike - Full lip radius corner standard. Other options available Latch - 1/2" throw dead latch, 2 3/8" or 2 3/4" backset adjustable. Radius corner face plate standard. Other options available Door Handing - Non - handed</p>
		<p>BHP ITEM# 47911DB - Trim Knob</p> <p>Grade III handleset trim knob, works for all BHP offering handlesets. All metal components Door Prep - See BHP handleset door prep Door Thickness - 1 3/8" to 1 3/4" Function: Knob always free Door Handing - Non - handed</p>

