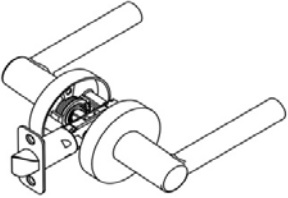
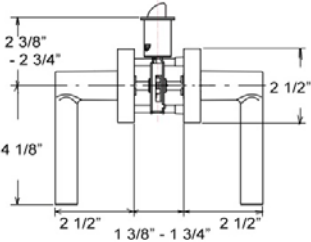
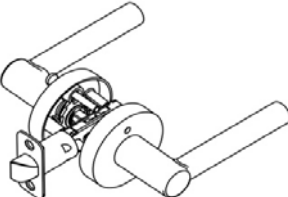
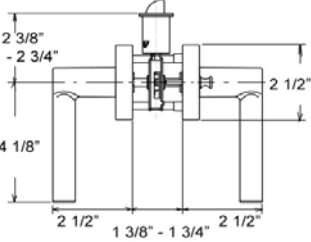
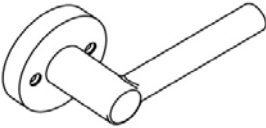
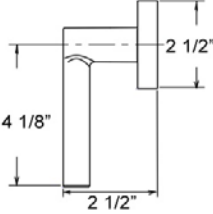
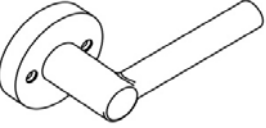
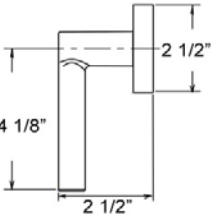
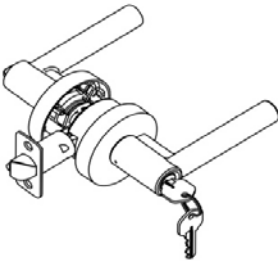
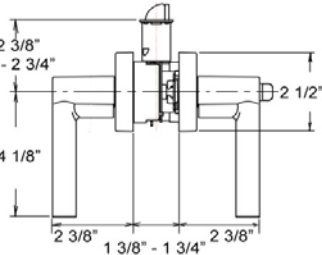


BETTER HOME PRODUCTS

STINSON BEACH COLLECTION SPECIFICATIONS

MATTE BLACK FINISH

		<p>BHP ITEM# 93144BLK - Passage Set</p> <p>Grade III tubular passage set. Solid zinc cast construction. Door Prep - Crossbore 2 1/8", Edge Bore 1", Latch Face 1"x2 1/4" Door Thickness - 1 3/8" to 1 3/4" Function: Both levers always free Strike - Full lip radius corner standard. Other options available Latch - 1/2" throw bolt, 2 3/8" or 2 3/4" backset adjustable. Radius corner face plate standard. Other options available Door Handing - Non-handed</p>
		<p>BHP ITEM# 93244BLK - Privacy Set</p> <p>Grade III tubular privacy set. Solid zinc cast construction. Door Prep - Crossbore 2 1/8", Edge Bore 1", Latch Face 1"x2 1/4" Door Thickness - 1 3/8" to 1 3/4" Function - Outside lever locked by push button inside, inside lever always free. Also can be opened by emergency key out side Strike - Full lip radius corner standard. Other options available Latch - 1/2" throw bolt, 2 3/8" or 2 3/4" backset adjustable. Radius corner face plate standard. Other options available</p>
		<p>BHP ITEM# 93344BLK - Dummy Lever</p> <p>Grade III dummy lever. Solid zinc cast construction. Door Prep - Surface mounted with 2 exposed mounting screws. No door prep needed Door Thickness - greater than 1" Function: Fixed lever, for doors where only a pull / push is required. Door Handing - Non-handed</p>
		<p>BHP ITEM# 93944BLK - Handleset Trim Lever</p> <p>Grade III handleset trim lever, works for all BHP offering handlesets. Solid zinc cast construction. Door Prep - See BHP handleset door prep Door Thickness - 1 3/8" to 1 3/4" Function: Lever always free Door Handing - Non-handed</p>
		<p>BHP ITEM# 93544BLK - Entry Set</p> <p>All metal components with inner anti-pick shield Door Prep - Crossbore 2 1/8", Edge Bore 1", Latch Face 1"x2 1/4" Door Thickness - 1 3/8" to 1 3/4" Function: Locked or unlocked by key out side or turn-piece inside. Cylinder - 5 pin KW1 keyway. Other options available Strike - Full lip radius corner standard. Other options available Latch - 1/2" throw bolt, 2 3/8" or 2 3/4" backset adjustable. Radius corner face plate standard. Other options available Door Handing - Non-handed</p>