
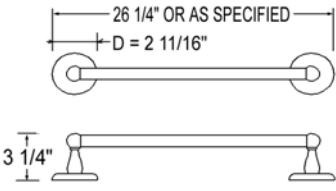

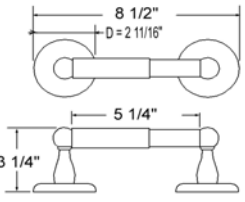

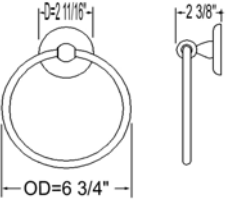

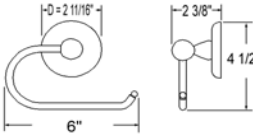

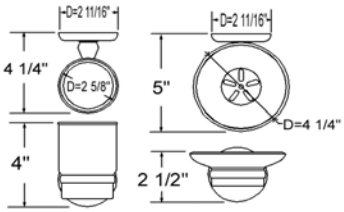

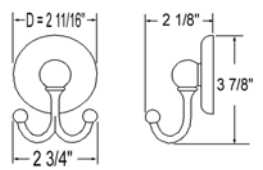


BETTER HOME PRODUCTS

NOE VALLEY IV COLLECTION SPECIFICATIONS

6200 SERIES - ANTIQUE BRASS FINISH

| | | |
|---|---|--|
|  |  | <p>BHP ITEM# 6224AB 24" TOWEL BAR SET</p> <p>Towel Bar – surface mount, concealed screw application, including 2Pcs steel mounting brackets and 4Pcs #8 x 1 1/4" mounting screws with plastic anchors</p> <p>Posts – plated die cast zinc alloy</p> <p>Bar – 3/4" OD. 0.025" wall thickness seamless plated aluminum. Available in 18", 24" & 32" length</p> |
|  |  | <p>BHP ITEM# 6209AB PAPER HOLDER</p> <p>Paper Holder - surface mount, concealed screw application, including 2Pcs steel mounting brackets and 4Pcs #8 x 1 1/4" mounting screws with plastic anchors</p> <p>Posts - plated die cast zinc alloy</p> <p>Roller – plated plastic roller with spring tension</p> |
|  |  | <p>BHP ITEM# 6204AB TOWEL RING</p> <p>Towel Ring - surface mount, concealed screw application, including 1Pc steel mounting bracket and 2Pcs #8 x 1 1/4" mounting screws with plastic anchors</p> <p>Post - plated die cast zinc alloy</p> <p>Ring – plated aluminum</p> |
|  |  | <p>BHP ITEM# 6207AB EURO PAPER HOLDER</p> <p>Paper Holder - surface mount, concealed screw application, including 1Pc mounting brackets and 2Pcs #8 x 1 1/4" mounting screws with plastic anchors</p> <p>Posts - plated die cast zinc alloy</p> <p>Hook - plated solid brass</p> |
|  |  | <p>BHP ITEM# 6206AB SOAP DISH ITEM# 6205AB TUMBLER HOLDER</p> <p>Posts - surface mount, concealed screw application, including 1Pc steel mounting bracket and 2Pcs #8 x 1 1/4" mounting screws with plastic anchors. Plated die cast zinc alloy.</p> <p>Dish / Tumbler - clear glass</p> |
|  |  | <p>BHP ITEM# 6202AB DOUBLE ROBE HOOK</p> <p>Robe Hook – surface mount, concealed screw application, including 1 pc steel mounting bracket and 2Pcs #8 x 1 1/4" mounting screws with plastic anchors. Plated die cast zinc alloy.</p> |