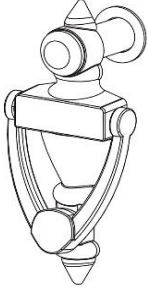
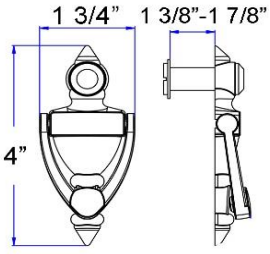
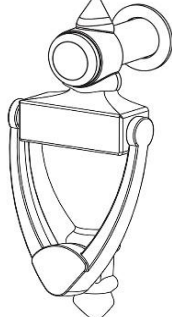
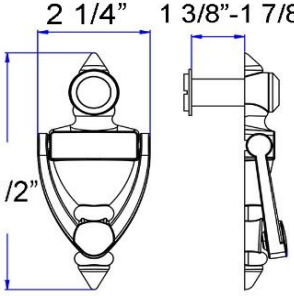


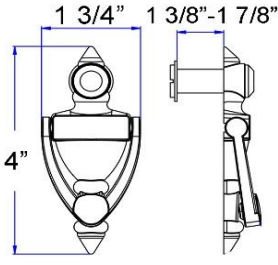
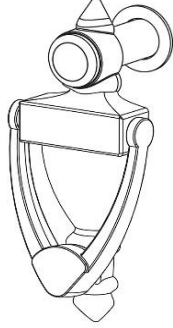

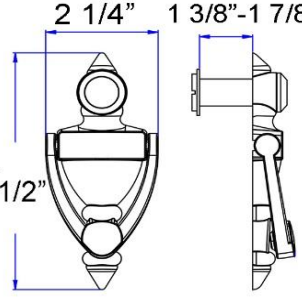


BETTER HOME PRODUCTS

DOOR KNOCKER SPECIFICATIONS

		<p>BHP 4" Knocker Viewer Set</p> <p>ITEM#: 293BLK - Matte Black Finish 695CH - Chrome Fininsh 695DB - Dark Bronze Finish 695DC - Satin Nickel Finish</p> <p>** Fits door thickness 1 3/8" to 1 7/8" ** 160 degree viewer ** Surface mount. Mounting screw included. ** Drill 1/2" diameter hole for the viewer</p>
		<p>BHP 5 1/2" Knocker Viewer Set</p> <p>ITEM#: 296BLK - Matte Black Finish 698CH - Chrome Fininsh 698DB - Dark Bronze Finish 698DC - Satin Nickel Finish</p> <p>** Fits door thickness 1 3/8" to 1 7/8" ** 180 degree viewer ** Surface mount. Mounting screw included. ** Drill 9/16" diameter hole for the viewer</p>
 		<p>BHP 4" Knocker Viewer Set - UL Listed</p> <p>ITEM#: UL695BLK - Matte Black Finish UL695CH - Chrome Fininsh UL695SN - Satin Nickel Finish</p> <p>** 90 minute fire rating UL listed viewer ** Fits door thickness 1 3/8" to 1 7/8" ** 160 degree viewer ** Surface mount. Mounting screw included. ** Drill 1/2" diameter hole for the viewer</p>
 		<p>BHP 5 1/2" Knocker Viewer Set - UL Listed</p> <p>ITEM#: UL698BLK - Matte Black Finish UL698CH - Chrome Fininsh UL698SN - Satin Nickel Finish</p> <p>** 90 minute fire rating UL listed viewer ** Fits door thickness 1 3/8" to 1 7/8" ** 180 degree viewer ** Surface mount. Mounting screw included. ** Drill 9/16" diameter hole for the viewer</p>