

BETTER HOME PRODUCTS

SAN FRANCISCO KITCHEN FAUCET WITH PULL DOWN SPRAY SPECIFICATIONS



FEATURES:

- * High- arch spout with pull out spray offers superior clearance for filling pots and cleaning.
- * Easy use single handle with temperature memory.
- * Magnetic locking system provides quick and precise secure pull out spray head docking.
- * Ceramic disc valve ensuring durable use for life.
- * Premium metal construction.
- * 1.5 gpm (5.7L / min) maximum flow rate @ 60 psi.

WARRANTY:

- * Limited lifetime mechanical function warranty against leaks and drips to the original residential homeowner/user.
- * 10 year mechanical function warranty against leaks and drips when used in a multifamily installation.
- * 5 year mechanical function warranty against leaks and drips when used in a commercial installation.
- * 5 year finish warranty on all installation types, on all finishes.

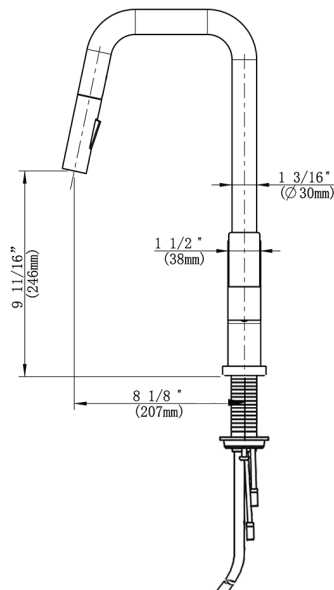
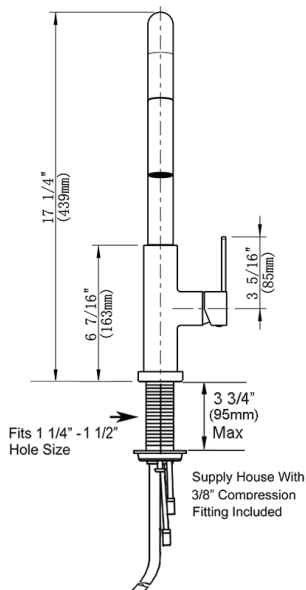


ITEM NUMBERS:

F90711DB - Dark Bronze Finish
F90715SN - Satin Nickel Finish
F90744BLK - Matte Black Finish
F90788CH - Chrome Finish

STANDARDS:

ASME A112.18.1 / CSA B125. 1
NSF/ANSI/CAN 372 Lead Free
EPA WaterSense
ADA for Lever Handles
Q ≤ 1



CRITICAL DIMENSIONS